

Installation instructions for PZ4AL-2992-00, PZ4AL-2993-00
Under Run Protective Shield Transmission Case

LEXUS IS 200T



IS 200T

Model year:

2015

Applicability:

ASE30L-AEZLZW

Part Number:

Steel: PZ4AL-2992-00
Aluminium: PZ4AL-2993-00



Weight:

Steel: 5.20 kg
Aluminium: 3.47 kg

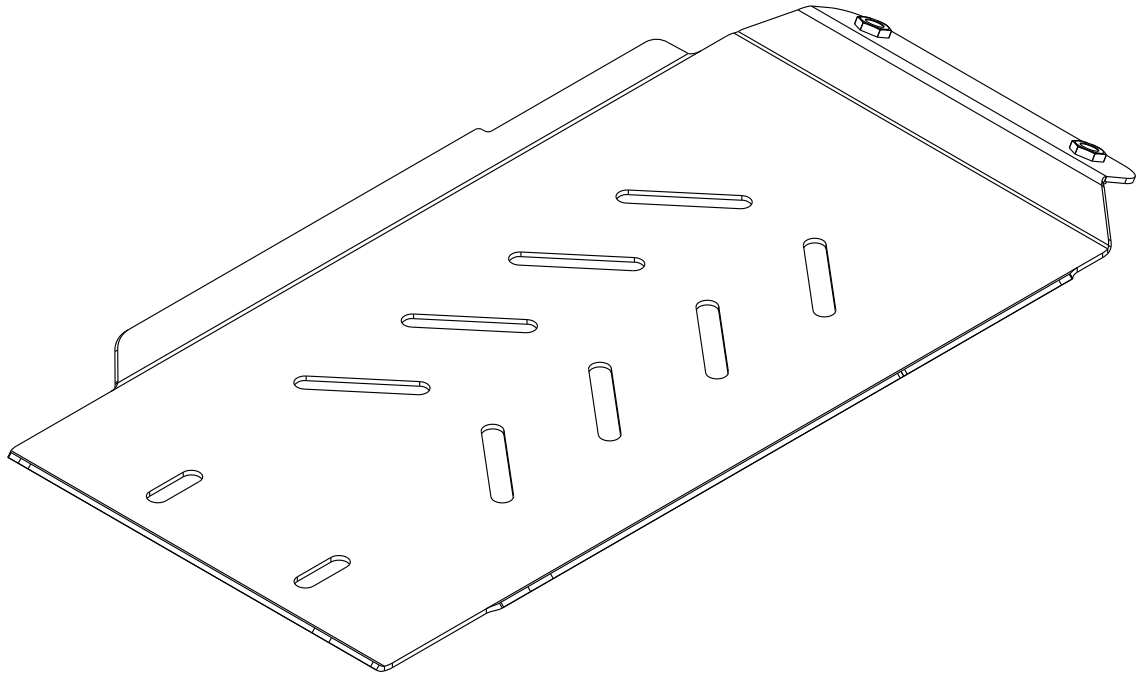


Installation Time:

30 min

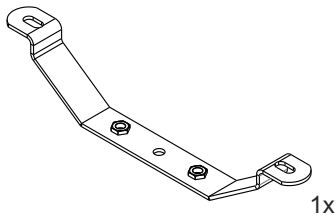
PZ4AL-02992-00, PZ4AL-02993-00

A

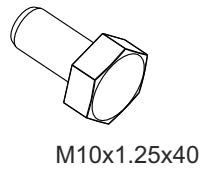


PZ4AL-02992-60

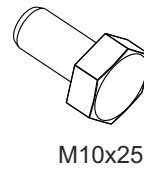
B



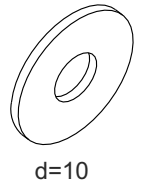
C



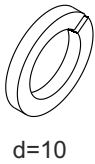
D



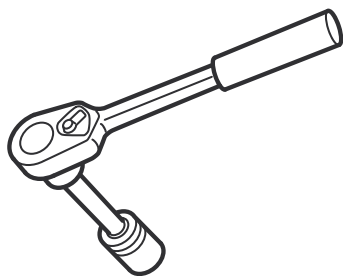
E



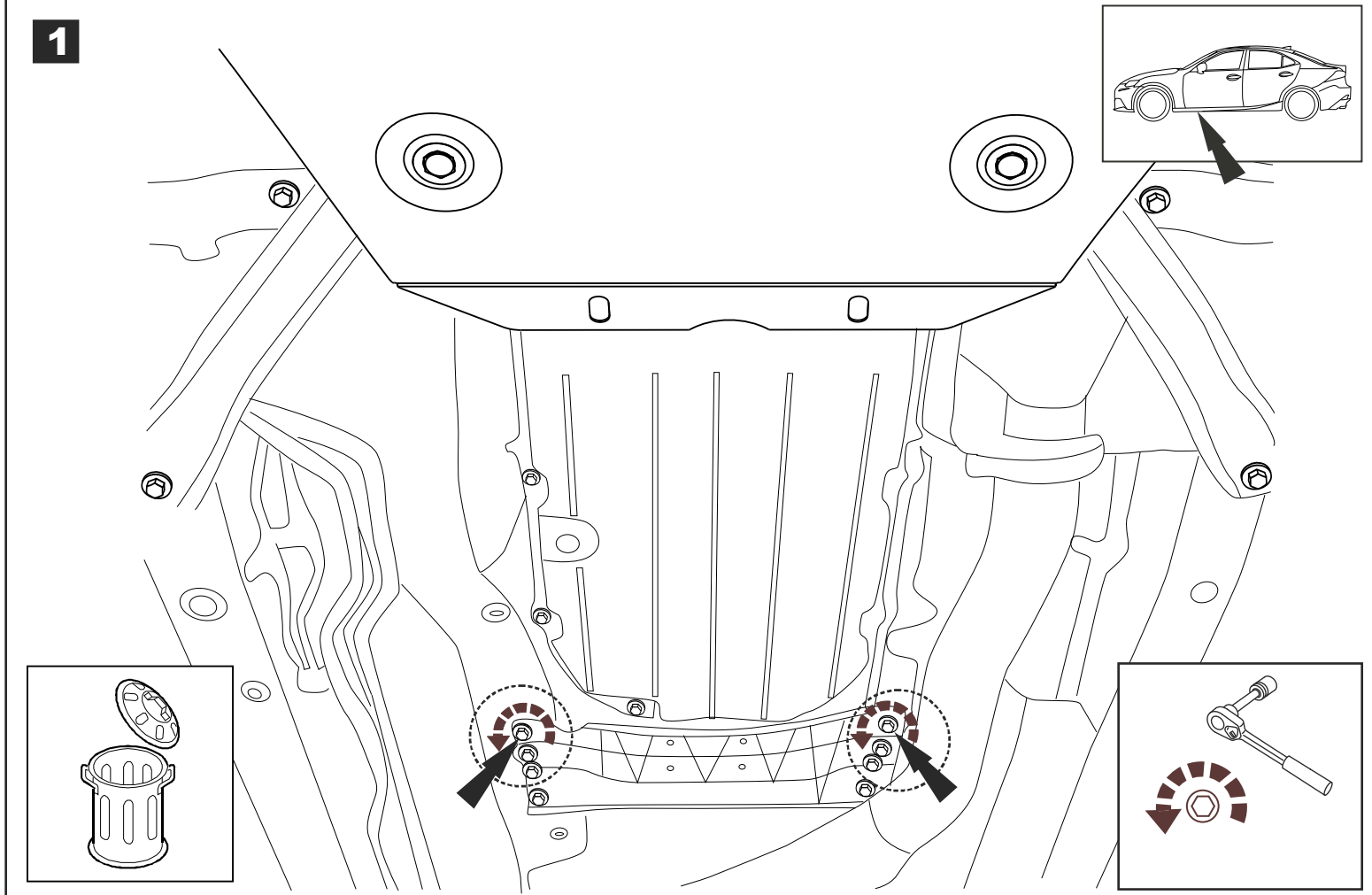
F



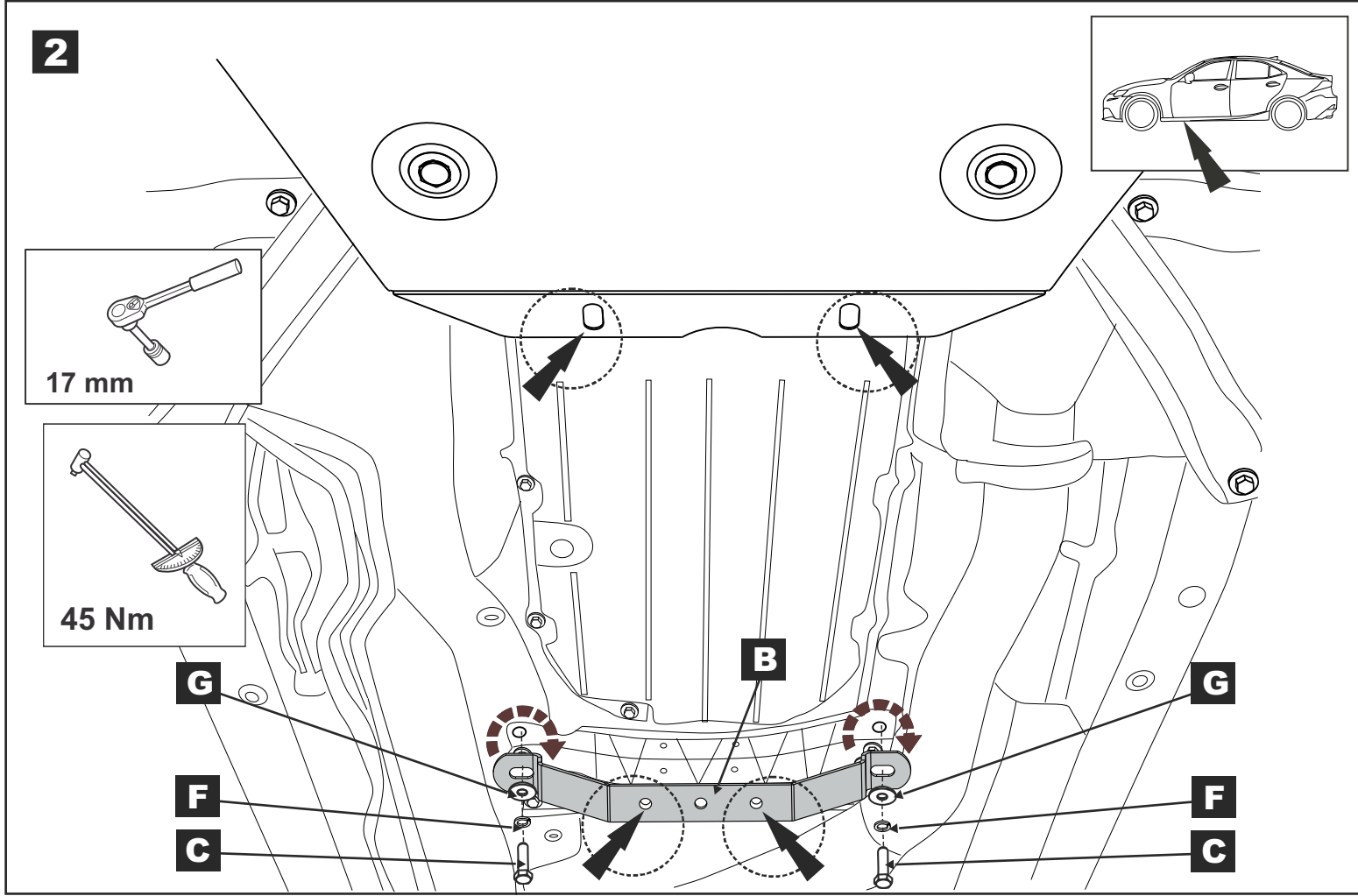
G



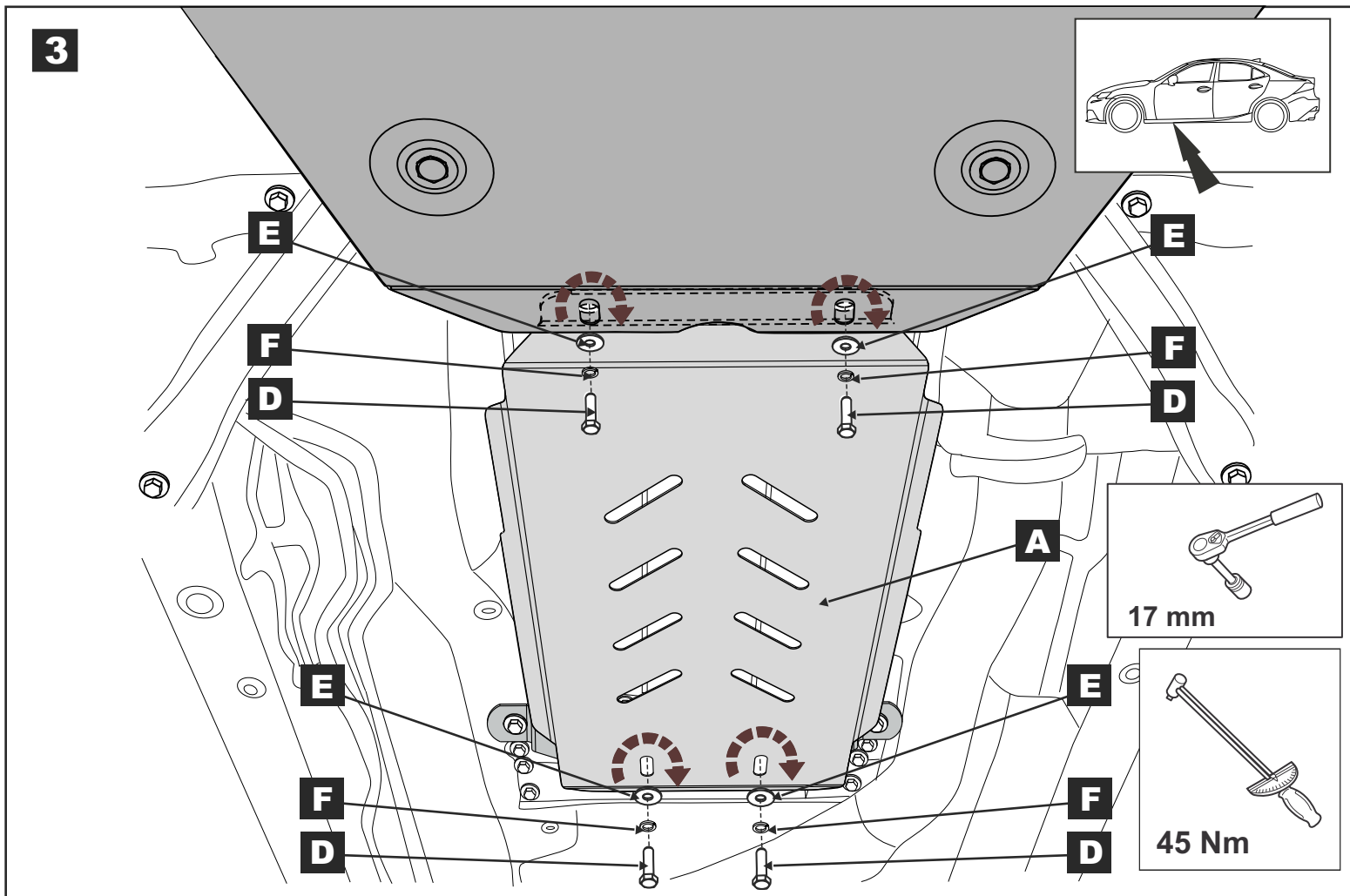
1



2



3



4

